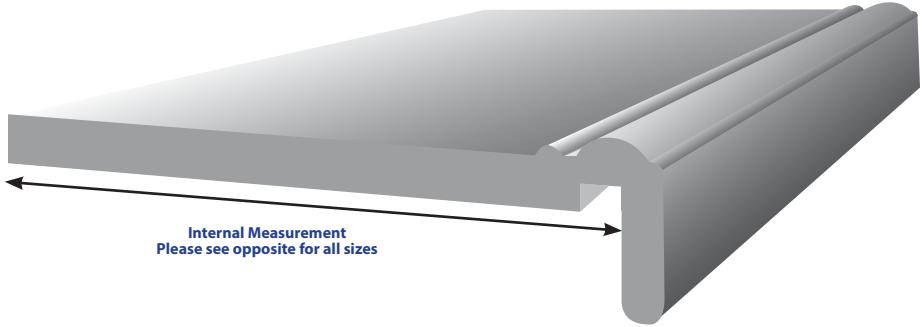
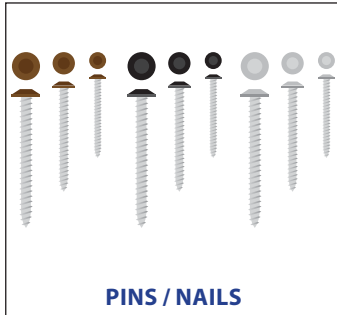
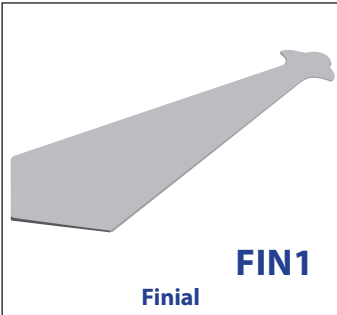
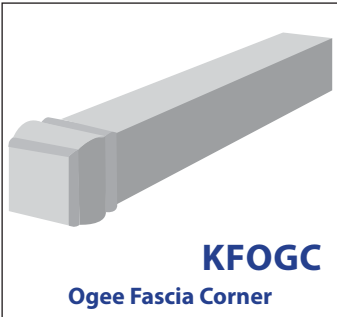


AQUACEL FOAM RANGE



KFBMO - 16mm Ogee Fascia Board
(100mm - 405mm)



All sizes are Internal

16mm Ogee Fascia & Accessories

		White		Woodgrain		Premium Woodgrain		Colours	
Product Code	Size	PK Qty	Price	Pk Qty	Price	Pk Qty	Price	Pk Qty	Price
KFBMO100	100mm	2 x 5m		2 x 5m	N/A	2 x 5m	N/A	2 x 5m	N/A
KFBMO150	150mm	2 x 5m		2 x 5m		2 x 5m	N/A	2 x 5m	N/A
KFBMO175	175mm	2 x 5m		2 x 5m		2 x 5m	N/A	2 x 5m	N/A
KFBMO200	200mm	2 x 5m		2 x 5m		2 x 5m	N/A	2 x 5m	N/A
KFBMO225	225mm	2 x 5m		2 x 5m		2 x 5m	N/A	2 x 5m	N/A
KFBMO250	250mm	2 x 5m		2 x 5m		2 x 5m	N/A	2 x 5m	N/A
KFBMO300	300mm	2 x 5m		2 x 5m	N/A	2 x 5m	N/A	2 x 5m	N/A
KFBMO405	405mm	2 x 5m		2 x 5m		2 x 5m	N/A	2 x 5m	N/A
KFOGC	300mm 90° Corner	100		100		100	N/A	100	
KFOGC600	600mm 90° Corner	50		50		50	N/A	50	N/A
KFOGC135	300mm 135° Corner	100		100		100	N/A	100	N/A
KFOGIC	300mm 90° Internal Corner	100		100		100	N/A	100	N/A
KFOGJ	300mm Joint	100		100		100	N/A	100	
KFOGJ600	600mm Joint	50		50		50	N/A	50	N/A
FIN1	Finial	100		100		100	N/A	100	

Polytop Pins/Nails available in: Black, Brown, White, Light Oak and Irish Oak

K/N/50	50mm	100 box		100 box	N/A	100 box		100 box	
K/N/65	65mm	100 box		100 box	N/A	100 box		100 box	

To indicate the product colour(s) required, the following code suffixes should be used:

Colour Suffixes: BG - Black Woodgrain, LO - Sherwood Woodgrain, RW - Rosewood Woodgrain, WG - Mahogany Woodgrain, BL - Black and BR - Brown, IO - Irish Oak, CG - Cream Woodgrain, WTG - White Woodgrain

All sizes are Internal